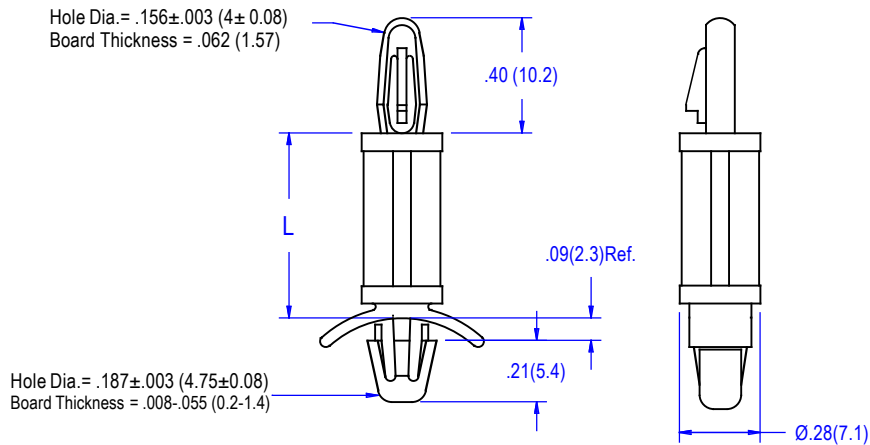


01-13-8 Series



ITEM NO.	DIM. L	
	Inches ±.015	mm ±0.4
01-13-8-30	.187	4.8
01-13-8-40	.250	6.4
01-13-8-50	.312	7.9
01-13-8-60	.375	9.5
01-13-8-70	.437	11.1
01-13-8-80	.500	12.7
01-13-8-100	.625	15.9
01-13-8-120	.750	19.1
01-13-8-140	.875	22.2
01-13-8-160	1.000	25.4
01-13-8-180	1.125	28.6
01-13-8-200	1.250	31.7
01-13-8-220	1.375	34.9

PACKAGING : 1000 PER BAG

UL 94V-O MATERIAL AVAILABLE UPON REQUEST
TO ORDER ADD SUFFIX "X" TO ITEM NUMBER

MATERIAL	NYLON 66
UL RATING	94V-2
UL FILE NO.	E41938
COLOR	NATURAL
RoHS COMPLIANCE	YES
TEMPERATURE RANGE (REF.)	-40 to 185°F (-40 to 85°C)
MR NUMBER	12

No	Revision	Date	Init.	DRAWN	F. LODI	03-01-19	Title	01-13-8 series	Issue
				CUSTOMER			File No.	01-13-8 series	0
				VERIFIED			ALL ELECTRONICS HARDWARE, INC. 2642 CORPORATE PARKWAY ALGONQUIN, IL. 60102 1-800-778-7234		
				REVIEWED	DP				